

# Technical Data Sheet

Compressor model **B25G**  
 Voltage **220-240V 50/60Hz ~1**  
 Refrigerant **R134a**

## APPLICATION

## COMPRESSOR

## MOTOR

Application	High Back Pressure	Displacement	2,60 cm <sup>3</sup>	Nominal Power	1/14 hp
Refrigerant	R134a	Diameter	17,20 mm	Voltage/Frequency	220-240V 60Hz
Evaporating Temp.	-15,0 °C to 10,0 °C	Stroke	11,20 mm	Voltage range	187-255 V
Expansion	Capillar/Valve	Net Weight	4,65 Kg	Type	RSIR
Comp. Cooling	Static/Fan cooled	Oil type	POE 32	Phase number	1 PH
Max. ambient temp.	43,0 °C	Oil charge	130 cm <sup>3</sup>	Locked Rotor Amps (LRA)	3,20 A
Compatible refriger.	R1234yf			Main W. resist. at 25°C	13,40 Ω
				Start W. resist. at 25°C	38,90 Ω

## NOMINAL PERFORMANCE

## APPROVALS

	ASHRAE	CECOMAF
Cooling Capacity	232 kCal/h	224 W
COP	2,10 W/W	1,80 W/W
EER	1,80 kCal/Wh	1,56 kCal/Wh
Input Power	129 W	124 W
Current	0,72 A	0,70 A

## TEST CYCLE CONDITIONS

	ASHRAE HBP (D)	CECOMAF HBP (C)
Evaporating temp. (T <sub>e</sub> )	7,2 °C	5,0 °C
Condensing temp. (T <sub>c</sub> )	55,0 °C	55,0 °C
Liquid temp. (T <sub>liq.</sub> )	46,0 °C	55,0 °C
Ambient temp. (T <sub>amb.</sub> )	35,0 °C	32,0 °C
Suction temp. (T <sub>suction</sub> )	35,0 °C	32,0 °C
Voltage/Frequency	220 V 60 Hz	220 V 60 Hz

## ELECTRICAL COMPONENTS

Relay	Option 1	Option 2		
Reference	JPQII-22 (002)	QP2-22 (002)		
Voltage	V	V		
Resistance	Ω	Ω		
Protector	Option 1	Option 2	Option 3	
Reference	BT37-120 (126)	BT37-120A61D3 (126)	DRB15N61A1 (126)	
Current	3,70 A	3,70 A	3,70 A	
Time check	7-16 seg	7-16 seg	7-16 seg	
Disc temp. (Open/Close)	120,00 / 61,00 °C	120,00 / 61,00 °C	120,00 / 61,00 °C	

## ASHRAE

Tc °C	Te °C	Cooling Capacity kCal/h	Consumption W	Current A	COP W/W	EER kCal/Wh
40	-15	106	73	0,52	1,68	1,44
40	-10	137	80	0,54	2,00	1,72
40	-5	174	86	0,56	2,36	2,03
40	0	218	92	0,58	2,74	2,36
40	5	267	99	0,60	3,14	2,70
40	7,2	291	102	0,61	3,33	2,86
40	10	322	105	0,62	3,56	3,06

45	-15	98	75	0,52	1,52	1,31
45	-10	126	83	0,55	1,78	1,53
45	-5	161	91	0,57	2,06	1,77
45	0	202	99	0,60	2,37	2,04
45	5	249	107	0,63	2,70	2,32
45	7,2	271	111	0,65	2,85	2,45
45	10	301	115	0,66	3,04	2,62

50	-15	89	76	0,53	1,37	1,18
50	-10	116	86	0,56	1,57	1,35
50	-5	148	96	0,59	1,80	1,55
50	0	186	105	0,63	2,05	1,77
50	5	230	115	0,66	2,32	2,00
50	7,2	252	120	0,68	2,45	2,10
50	10	280	125	0,70	2,61	2,24

55	-15	81	77	0,53	1,22	1,05
55	-10	105	89	0,57	1,38	1,18
55	-5	135	100	0,61	1,56	1,34
55	0	170	112	0,65	1,77	1,52
55	5	212	123	0,70	2,00	1,72
55	7,2	232	129	0,72	2,10	1,80
55	10	259	135	0,75	2,23	1,92

60	-15	73	78	0,53	1,08	0,93
60	-10	94	92	0,58	1,19	1,03
60	-5	121	105	0,62	1,34	1,15
60	0	154	118	0,68	1,52	1,30
60	5	193	132	0,73	1,71	1,47
60	7,2	212	138	0,76	1,80	1,54
60	10	238	145	0,80	1,91	1,64

65	-15	65	80	0,54	0,95	0,81
65	-10	83	95	0,59	1,02	0,88
65	-5	108	110	0,64	1,14	0,98
65	0	138	125	0,70	1,29	1,11
65	5	175	140	0,77	1,45	1,25
65	7,2	193	147	0,80	1,53	1,32
65	10	217	155	0,85	1,63	1,40

## CECOMAF

Tc °C	Te °C	Cooling Capacity W	Consumption W	Current A	COP W/W	EER kCal/Wh
40	-15	114	74	0,52	1,54	1,33
40	-10	148	80	0,54	1,84	1,59
40	-5	188	87	0,56	2,17	1,88
40	0	235	93	0,58	2,52	2,18
40	5	288	99	0,60	2,89	2,50
40	7,2	313	102	0,61	3,06	2,64
40	10	347	106	0,63	3,27	2,83

45	-15	104	75	0,52	1,39	1,20
45	-10	136	83	0,55	1,63	1,41
45	-5	173	91	0,57	1,89	1,64
45	0	216	99	0,60	2,18	1,88
45	5	266	108	0,63	2,47	2,14
45	7,2	290	111	0,65	2,61	2,25
45	10	322	116	0,67	2,78	2,40

50	-15	95	76	0,53	1,25	1,08
50	-10	123	86	0,56	1,43	1,24
50	-5	158	96	0,59	1,64	1,42
50	0	198	106	0,63	1,87	1,61
50	5	245	116	0,67	2,11	1,83
50	7,2	268	120	0,68	2,22	1,92
50	10	298	126	0,71	2,37	2,04

55	-15	86	78	0,53	1,11	0,96
55	-10	111	89	0,57	1,24	1,07
55	-5	142	101	0,61	1,41	1,22
55	0	180	113	0,65	1,60	1,38
55	5	224	124	0,70	1,80	1,56
55	7,2	245	129	0,72	1,89	1,64
55	10	274	136	0,75	2,01	1,74

60	-15	77	79	0,54	0,97	0,84
60	-10	99	92	0,58	1,07	0,92
60	-5	127	106	0,63	1,20	1,04
60	0	162	119	0,68	1,36	1,17
60	5	202	133	0,74	1,53	1,32
60	7,2	222	138	0,77	1,61	1,39
60	10	250	146	0,80	1,71	1,48

65	-15	67	80	0,54	0,84	0,73
65	-10	86	95	0,59	0,91	0,78
65	-5	112	110	0,64	1,01	0,87
65	0	143	126	0,71	1,14	0,99
65	5	181	141	0,78	1,29	1,11
65	7,2	200	147	0,81	1,35	1,17
65	10	225	156	0,85	1,44	1,25

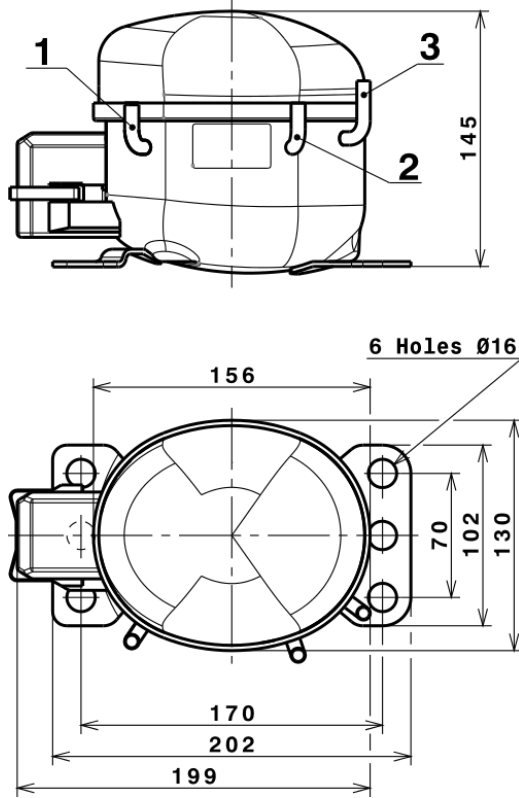
## EN12900

X	Cooling Capacity (W)	Consumption (W)	Current (A)	Mass Flow (kg/h)
1	381,4031414396	41,7666388169	0,3638792004	6,6130603435833
2	14,7886298247	-1,5373197408	-0,0073733323	0,27373655892496
3	-3,7457882973	1,3394874737	0,0054637922	-0,036396286954434
4	0,1237823125	0,0016804936	0,0000895123	0,0036707743165239
5	-0,1239126340	0,0721500023	0,0003132579	-0,0010009900996481

Equation	$x_1 + x_2Te + x_3Tc + x_4Te^2 + x_5TeTc$
----------	---

# Technical Data Sheet

## COMPRESSOR DIMENSIONS

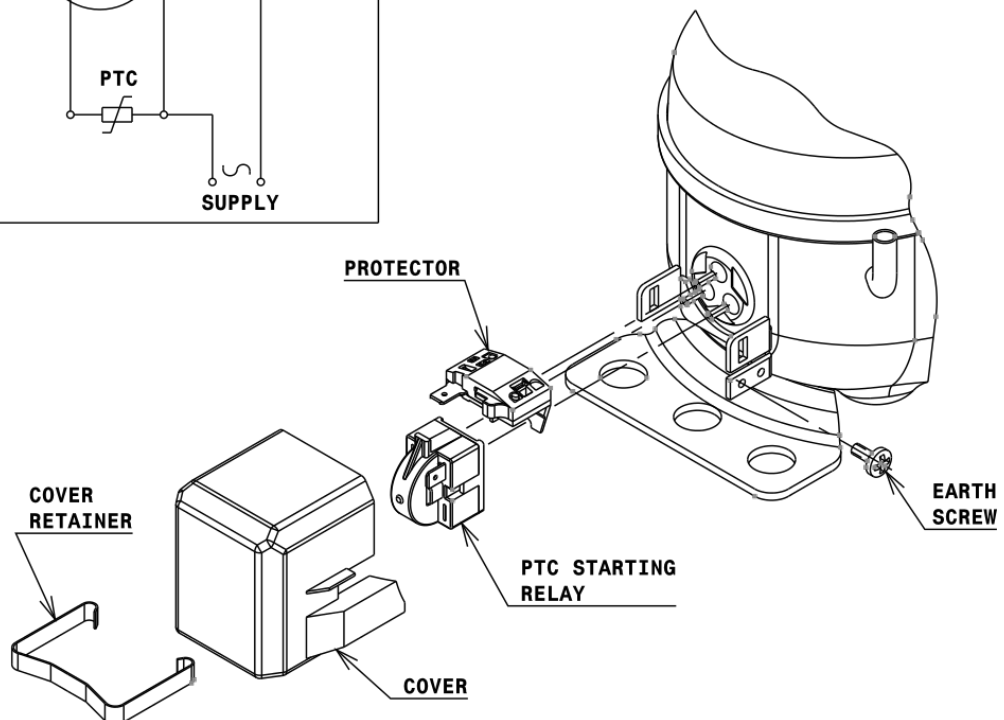
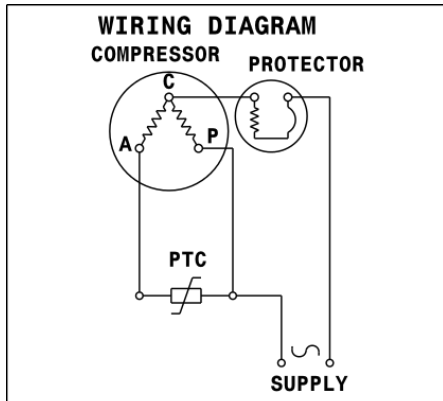


## DESIGNATION INTERNAL DIAM.

DESIGNATION	INTERNAL DIAM.
1 Suction	6,1 mm
2 Service	6,1 mm
3 Discharge	5,1 mm

## WIRING DIAGRAMS AND ELECTRICAL ASSEMBLY

### RSIR CONNECTION (PTC) (B, Small L ranges)



# Technical Data Sheet

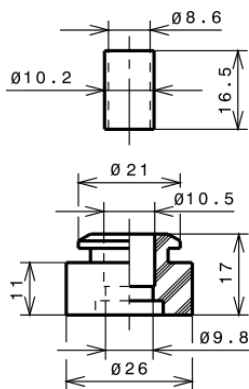
## FIXINGS



## SILENT BLOCKS (MOUNTING ACCESSORIES)

### STANDARD

Ø16 holes (170x70 net)



### SOA

SOA R134a HBP

